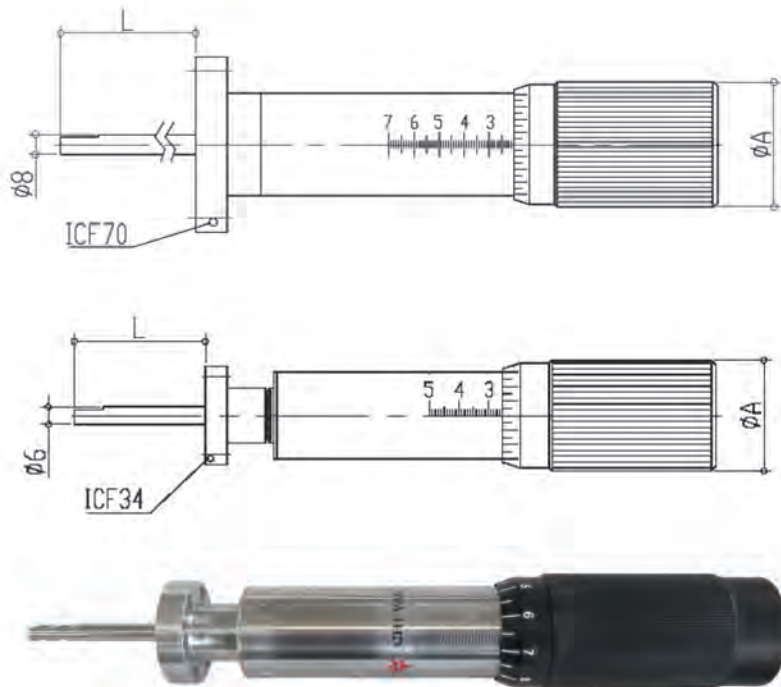


Screw Linear Drives

Code	Flange	A (mm)	L (mm)
ICF34-LM	ICF34	38	18+S
ICF70-LM	ICF70	50	35+S

S: Customized travel length



- Accurate linear motion by screw
- Wide range of travel as standard
- Motor driven versions available
- UHV use
- Installing direction free
- Baking temperature: $\leq 200^{\circ}\text{C}$
- Customized design and manufacture