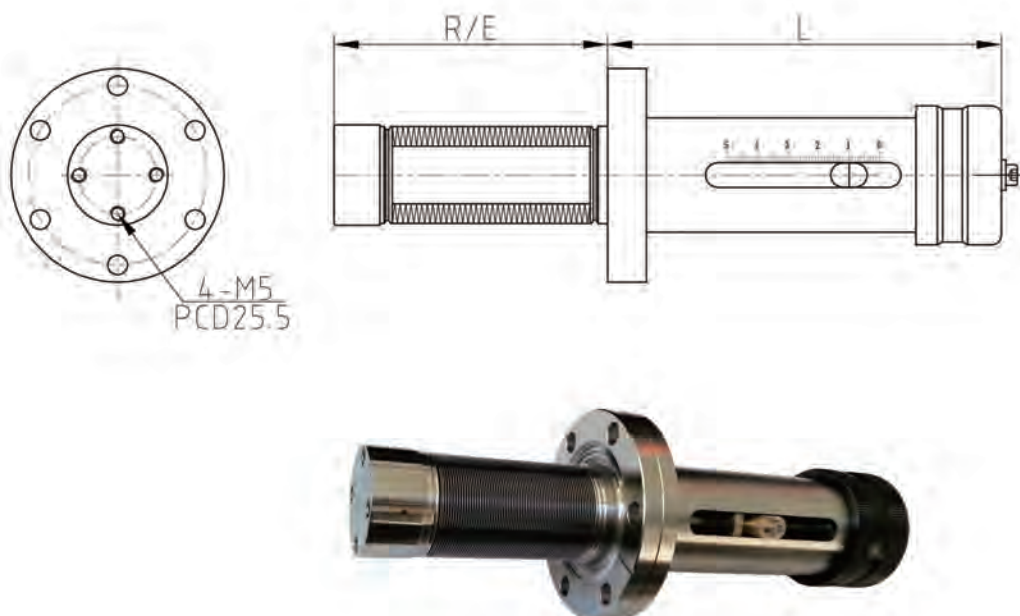




Heavy Duty Screw Linear Drives

Code	Flange	Travel length (mm)	L (mm)	R/E (mm)
ICF34-HDLM-50	ICF34	50	129	49.8/99.8
ICF34-HDLM-100	ICF34	100	179	74.8/174.8
ICF34-HDLM-150	ICF34	150	229	89.8/239.8
ICF70-HDLM-50	ICF70	50	123.8	49.8/99.8
ICF70-HDLM-100	ICF70	100	173.8	74.8/174.8
ICF70-HDLM-150	ICF70	150	223.8	89.8/239.8



- Accurate linear motion for heavy duty UHV use
- Motor driven versions available
- Installing direction free
- Baking temperature: $\leq 200^{\circ}\text{C}$
- Customized design and manufacture