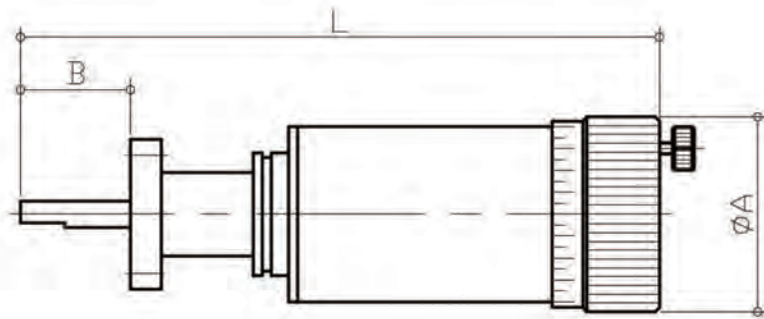




## Bellows Type Rotary Drives

Code	Flange	A (mm)	B (mm)	Shaft (mm)	L (mm)
ICF34-RM	ICF34	43	20	6	126.5
ICF70-RM	ICF70	48	50	6	170.0



- Rotation in UHV**
- Continuous rotation**
- Low angular backlash**
- Position lock**
- Welded bellows seal**
- Motor control available**
- Installing direction free**
- Baking temperature:  $\leq 200^{\circ}\text{C}$**
- Customized design and manufacture**