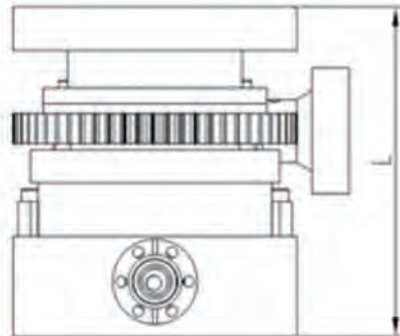
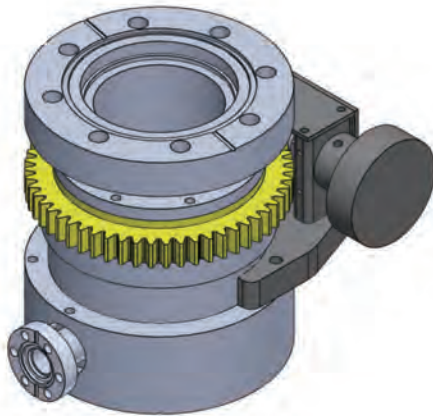




Differential Pumping Rotation Platform

Code	Flange	Type	Resolution (mm)	Clear bore (mm)	L (mm)	Load (kg)
DPRF-70	ICF70	Manual	0.1	25	120	70
DPRF-70-M	ICF70	Motor controlled	0.01	25	120	70
DPRF-114	ICF114	Manual	0.1	55	131.5	100
DPRF-114-M	ICF114	Motor controlled	0.01	55	131.5	100
DPRF-152	ICF152	Manual	0.1	102	43	120
DPRF-152-M	ICF152	Motor controlled	0.01	102	45	120



- Continuous rotation
- Differential pumping
- Manual or motor control option
- Spare parts easy to change
- Baking temperature: $\leq 150^{\circ}\text{C}$

