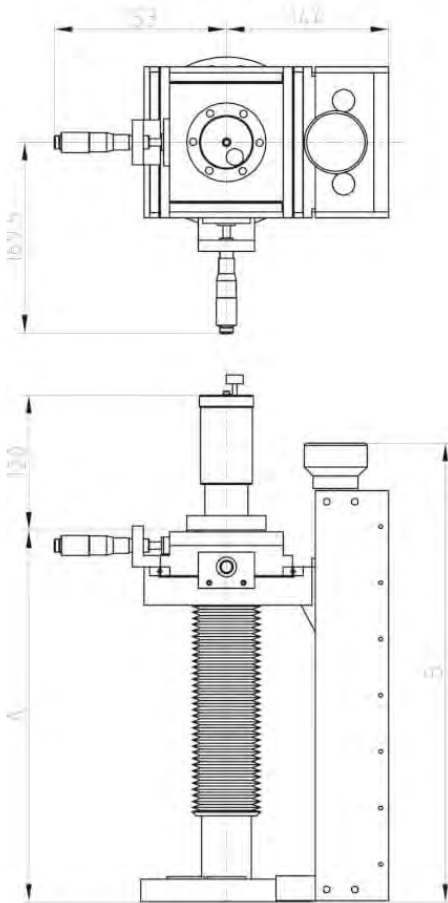




### 4-Axes Sample Stage

Code	Flange	A	B	X,YTravel (mm)	ZTravel length (mm)
XYZR-50	ICF152	249.7/199.7	301	± 10	50
XYZR-100	ICF152	304.7/204.7	354	± 10	100
XYZR-150	ICF152	359.7/209.7	408	± 10	150



XYZ and rotary drives  
Base flange: ICF152 with 4 mini flanges  
Travel flange: ICF70  
Motor driven versions available  
UHV use  
Baking temperature:  $\leq 200^{\circ}\text{C}$